



SPIRIT FITNESS

A Heritage of Quality | The Spirit of Innovation



CR800

Recumbent



CU800

Upright

OWNER'S MANUAL

Please carefully read this entire manual before operating your new Bike.

Table of Contents

Important Safety Instructions.....	2
Important Operation Instructions.....	3
Recumbent Assembly Instructions.....	4
Upright Assembly Instructions.....	11
Features.....	17
Operation of Your New Bike.....	18
Maintenance.....	32
Recumbent Exploded View Diagram.....	33
Recumbent Parts List.....	34
Upright Parts List.....	37
Upright Exploded Diagram.....	38

Thank you for purchasing our product, please save these instructions. Please do not perform or attempt any customizing, adjustments, repair or maintenance that is not described in this manual.

Important Safety Instructions

WARNING - Read all instructions before assembling, using or servicing this appliance.

- Before beginning this or any exercise program, consult a physician. This is especially important for persons over the age of 35 or persons with pre-existing health conditions.
- If you experience nausea, dizziness or other abnormal symptoms while exercising, stop your workout at once and consult a physician.
- To avoid muscular pain and strain, begin each workout by warming up and end it by cooling down (slow pedaling at low resistance). Don't forget to stretch at the end of the workout.
- Keep children away from the bike. There are obvious pinch points and other areas of caution that can cause harm.
- Keep hands away from all moving parts.
- Never drop or insert any object into any openings.
- Do not use outdoors.
- Do not attempt to use your bike for any purpose other than for the purpose it is intended.
- The hand pulse sensors are not medical devices. Various factors, including the user's movement, may affect the accuracy of heart rate readings. The pulse sensors are intended only as exercise aids in determining heart rate trends in general.
- **WARNING:** Heart rate monitoring system may be inaccurate. Over exercise may result in injury or death. If you feel faint stop exercising immediately.
- Wear proper shoes. High heels, dress shoes, sandals or bare feet are not suitable for use on your bike. Quality athletic shoes are recommended to avoid leg fatigue.
- This appliance is not intended for use by persons (including children) with reduced physical, sensory or mental capabilities, or lack of experience and knowledge, unless they have been given supervision or instruction concerning use of the appliance by a person responsible for their safety.
- Children should be supervised to ensure that they do not play with the appliance.
- **Max. user's weight.: 150 kg**

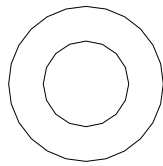
SAVE THESE INSTRUCTIONS - THINK SAFETY!

Important Operation Instructions

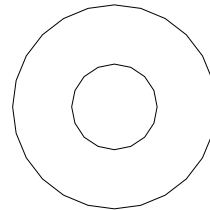
- **Never** operate the bike without reading and completely understanding the results of any operational change you request from the computer.
- Do not use excessive pressure on console control keys. They are precision set to properly function with little finger pressure. Pushing harder is not going to make the unit go faster or slower. If you feel the buttons are not functioning properly with normal pressure, contact your dealer.
- Do not attempt any servicing or adjustments other than those described in this manual. All else must be left to trained service personnel familiar with electro-mechanical equipment and authorized under the laws of the country in question to carry out maintenance and repair work.
- Hold the handlebar for support when getting on or off the bike.
- Make sure there is at least one meter of clearance between the bike and any fixed object.
- The safety level of this bike can only be ensured if you inspect all parts for signs of wear or visible damage before each use. If a part is damaged, do not use the bike. Replace any damaged parts immediately and keep the bike out of use until repair can be made.
- **NEVER** expose this bike to rain or moisture. This product is **NOT** designed for use outdoors, near a pool or spa, or in any other high humidity environment. The operational temperature specification is +10 to +40 degrees C, and humidity is 95%, non-condensing (no water drops forming on surfaces).
- To avoid injury please observe all minimum and maximum seat adjustment settings.
- Place the bike on a firm, level surface. Place the bike on a protective surface to avoid damaging the floor beneath the equipment.
- If the wattage reading on the console seems incorrect, see your [local](#) dealer for recalibration.
- The workload of this bike provides a speed-dependent type of exercise.

Assembly Pack Check List For RECUMBENT

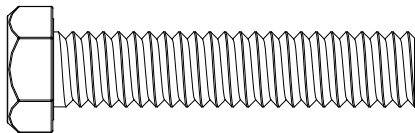
Step 1



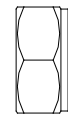
#77 - 3/8"x19
Flat Washer (6pcs)



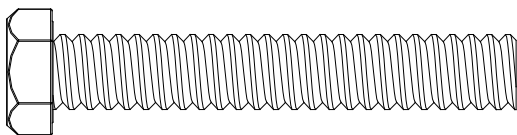
#84 - 3/8" x 25
Flat Washer (4pcs)



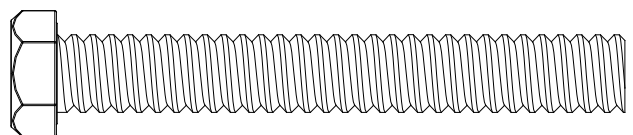
#71 - 3/8" x 2"
Hex Head Bolt (4pcs)



#89 - 3/8"
Nylon Nut (6pcs)

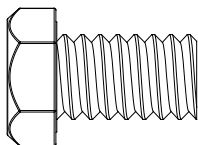


#65 - 3/8" x 2-1/4"
Hex Head Bolt (4pcs)

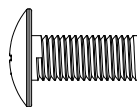


#175 - 3/8" x 2-3/4"
Hex Head Bolt (2pcs)

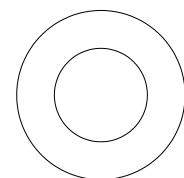
Step 2



#176 - 3/8" x 3/4"
Hex Head Bolt (6pcs)

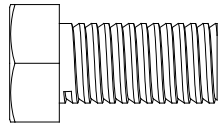


#136 - M5 x 15mm
Phillips Head Screw (4pcs)

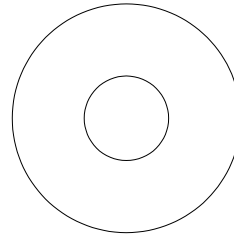


#77 - 3/8"x19
Flat Washer (6pcs)

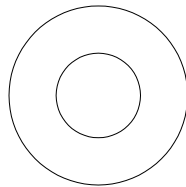
Step 3



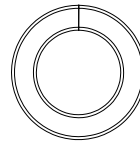
#68 - 5/16" x 5/8"
Hex Head Bolt (8pcs)



#83 - 5/16" x 19
Curved Washer (2pcs)

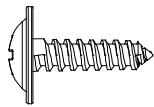


#76 - 5/16" x 18
Flat Washer (6pcs)

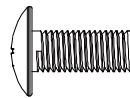


#82 - 5/16"
Split Washer (2pcs)

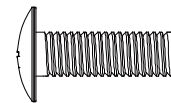
Step 4



#105 - 4 x 16mm
Self Tapping Screw (4pcs)

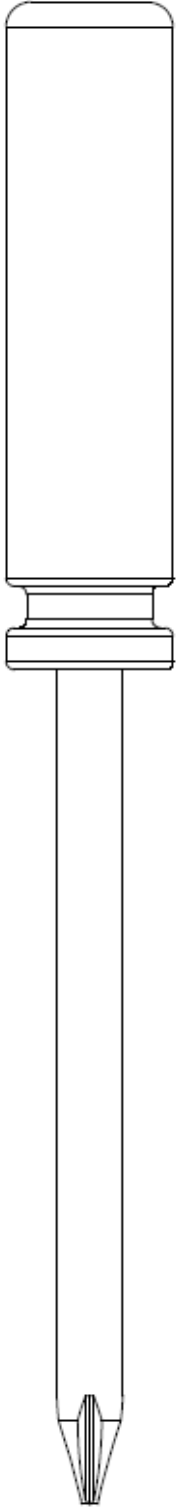


#99 - M5 x 12mm
Phillips Head Screw (8pcs)

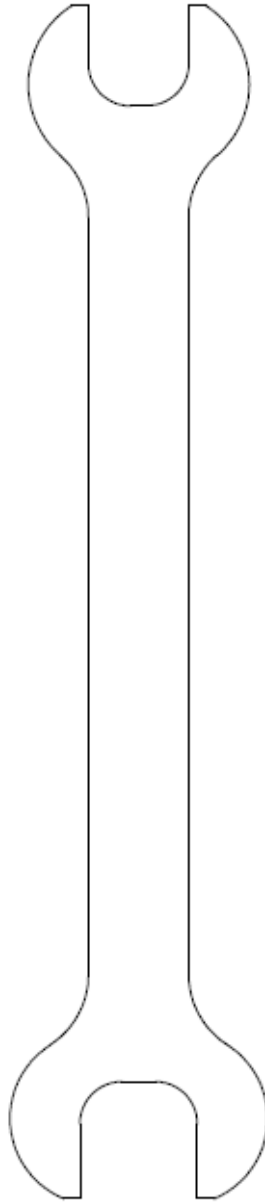


#186 - M6 x 18mm
Phillips Head Screw (4pcs)

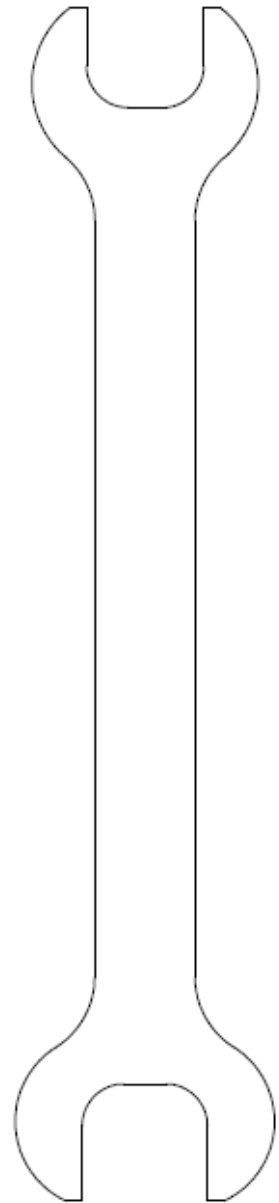
Tools



#114 - Phillips Screw Driver (1 pc)



#112 - 12/14mm Wrench (1 pc)

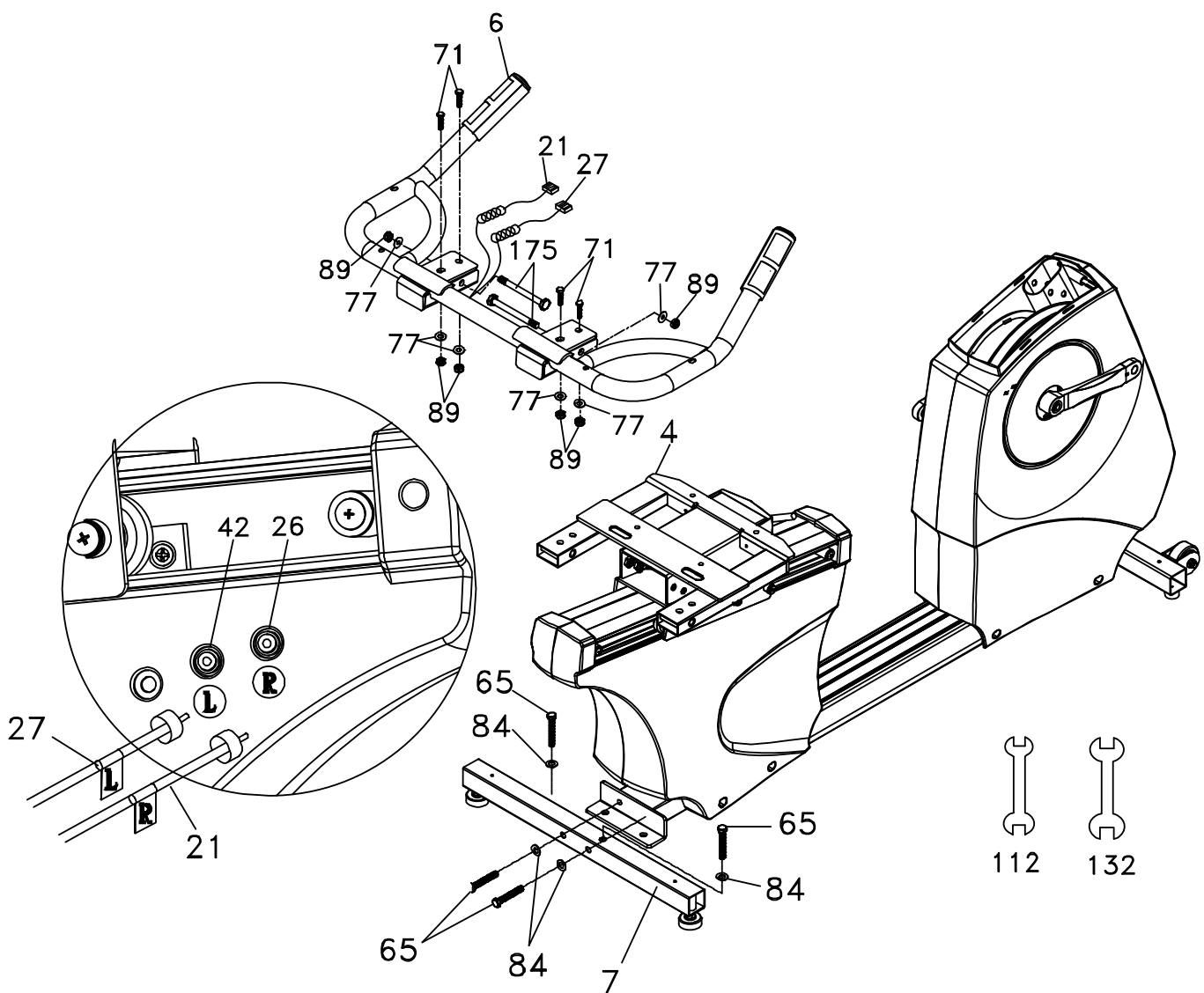


#132 - 14/15mm Wrench (1 pc)

Assembly Instructions For RECUMBENT

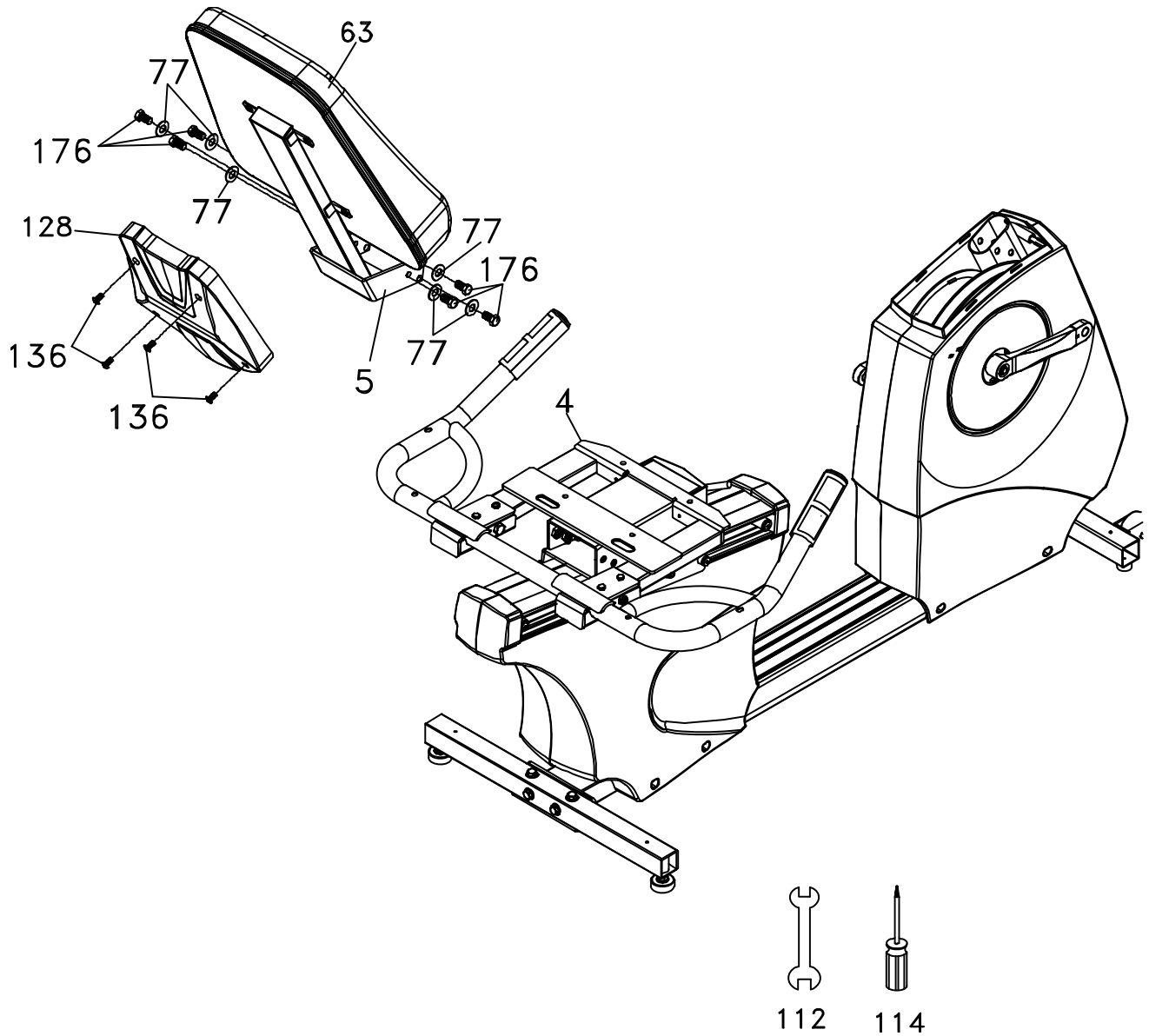
STEP 1: REAR STABILIZER & SEAT HANDLEBAR ASSEMBLY

1. Install the Rear Stabilizer (7) onto the Main Frame with four 3/8" x 2-1/4" Hex Head bolts (65) and four 3/8" x 25 Flat Washers (84).
2. Install the handlebar assembly (6) onto the seat carriage (4) with four 3/8" X 2" bolts (71) installed through the top holes and secured with four 3/8" flat washers (77) and 3/8" nylon nuts (89). Install two 3/8" X 2-3/4" bolts (175) through the side holes and secure with two 3/8" flat washers (77) and 3/8" nylon nuts (89).
3. Plug the Left hand pulse wire (27) into the corresponding left socket (42) located in the left plastic side case under the seat carriage, and the Right hand pulse wire (21) into the right socket (26).



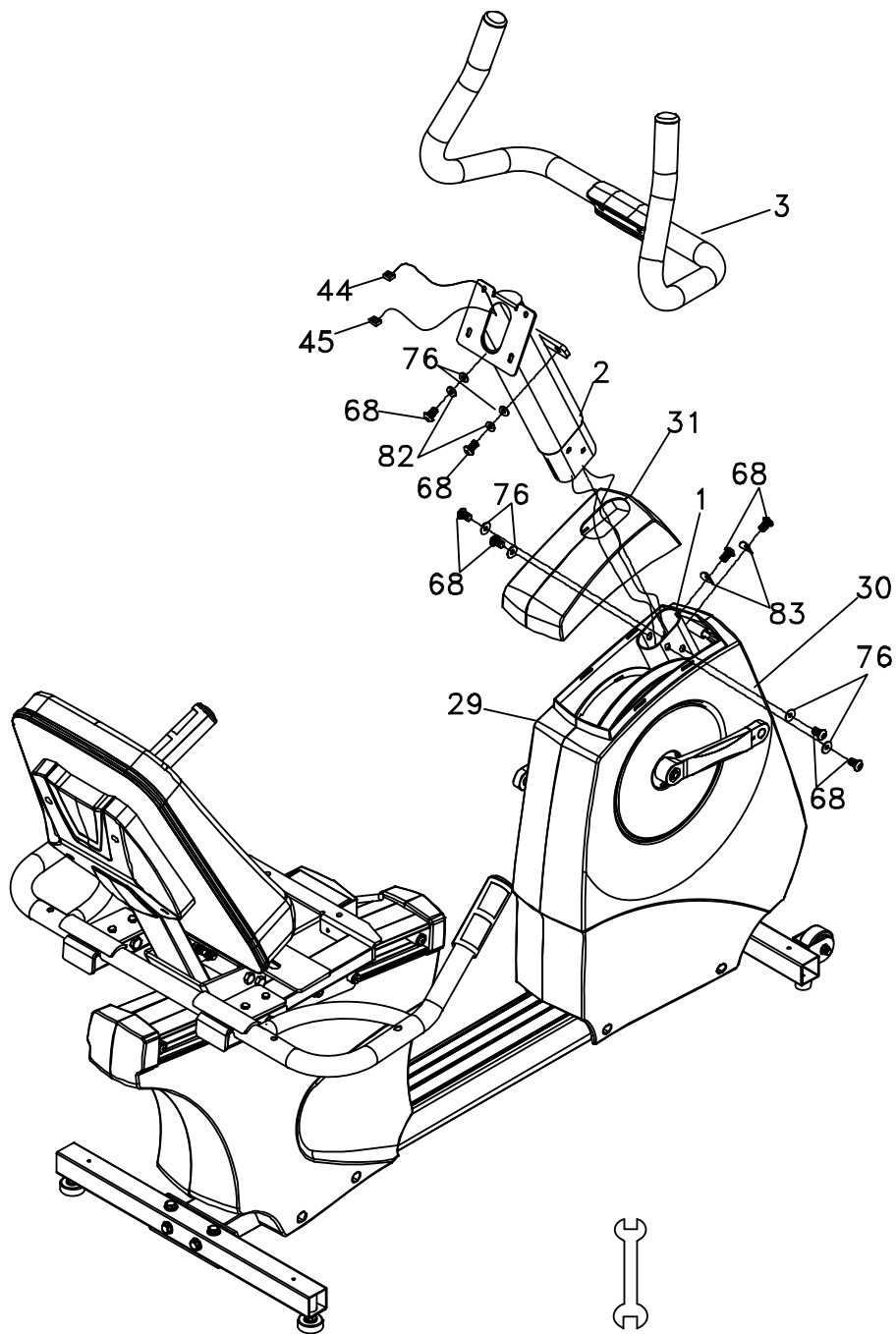
STEP 2: SEAT BACK

1. Install Seat Back Frame (5) onto the Seat Carriage (4) with six 3/8" x 3/4" Hex Head bolts (176) and 3/8"x 19 flat washers (77).
2. Install the Seat Back Cover (128) onto the Seat Back with four M5 x 15m/m Phillips Head Screws (136).



STEP 3: CONSOLE MAST ASSEMBLY

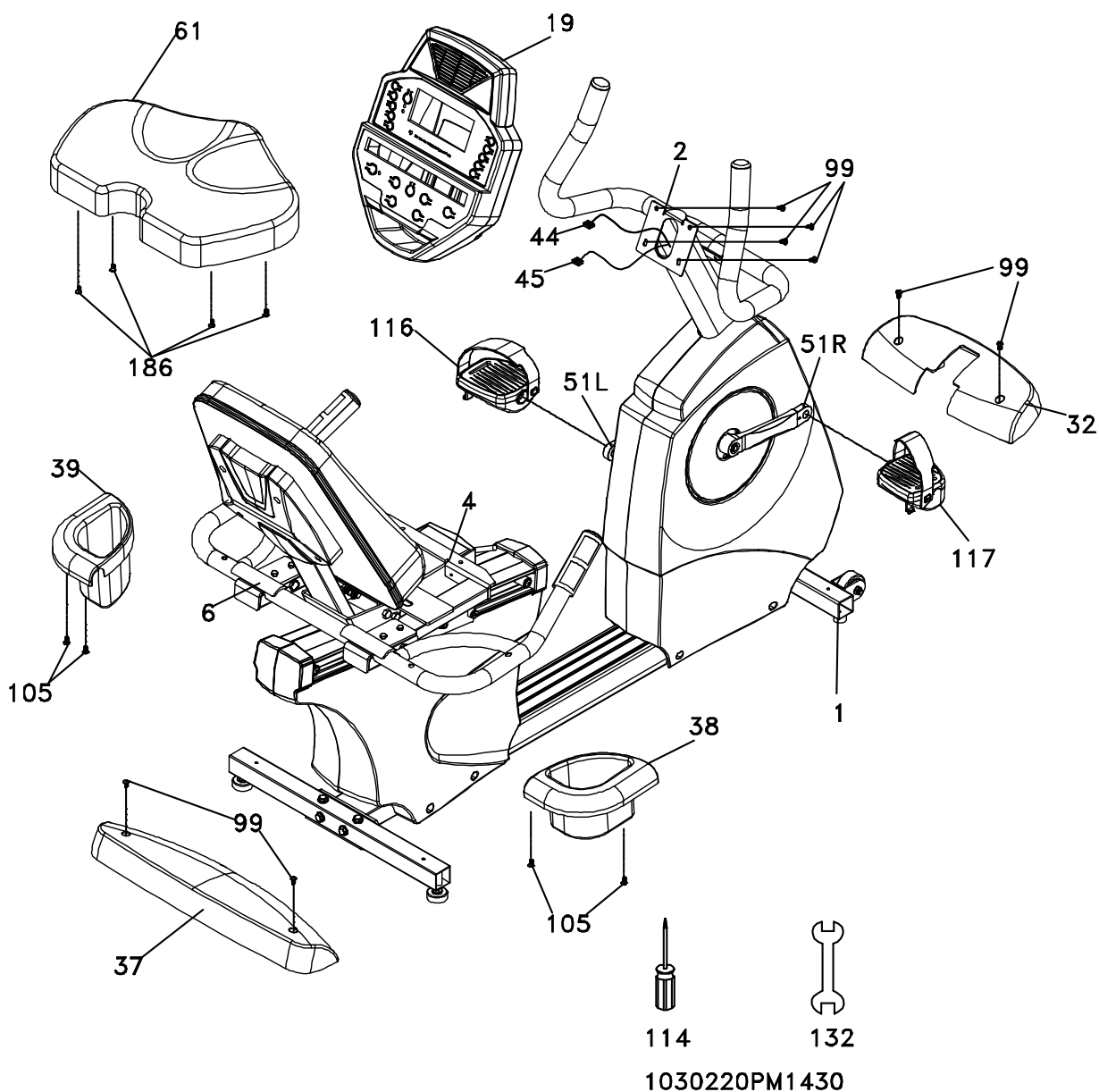
1. Install the console mast cover (31) onto the console mast (2), making sure it is facing the correct direction as in the picture below. Run the two wire harnesses through the bottom of the console mast tube and out the top opening.
2. Slide the console mast into the receiving tube (1) being careful to not pinch the wires. Fasten the console mast with six 5/16" x 5/8" bolts (68) and four 5/16" flat washers (76) on the side bolts and two 5/16" curved washers (83) on the front bolts. Snap the console mast cover in place.
3. Install the front handlebars (3) onto the console mast with two 5/16" x 5/8" bolts (68), 5/16" split washers (82) and 5/16" flat washers (76).



112

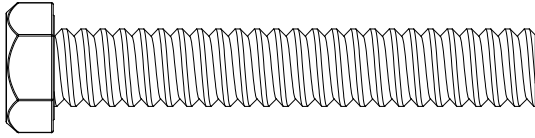
STEP 4: CONSOLE, SEAT, COVERS, PEDALS

1. Install the front and rear stabilizer covers (32 & 37) and secure to the frame with four M5 x 12mm screws (99).
2. Install the left and right cup holders (39 & 38) to the rear handlebars with four self tapping screws (105).
3. Install the bottom seat cushion (61) to the seat carriage (4) with four M6 x 18mm screws (186).
4. Install the Pedals (116 L, 117 R) into the Crank arms (51L, 51R). Remember that the left pedal has a reverse thread and will be screwed into the crank in the opposite rotation from normal threads. There is an "L" stamped into the end of the threaded post of the left pedal and an "R" in the right. Make sure to tighten the pedals as much as you possibly can. It may be necessary to re-tighten the pedals if you feel a thumping during pedaling the bike. A clicking noise, or thumping, sound during pedaling is usually caused by the pedals being too loose.
5. Connect the two wire harnesses (44 & 45) to the corresponding connectors on the back of the console. Install the console onto the console mast and secure with four M5 x 12mm screws (99) being careful to not pinch the wires.

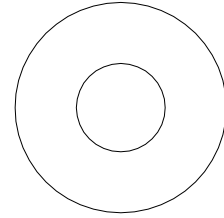


Assembly Pack Check List For UPRIGHT

Step 1

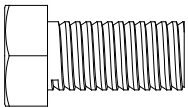


#50 - 3/8" x 2-1/4"
Hex Head Bolt (4pcs)

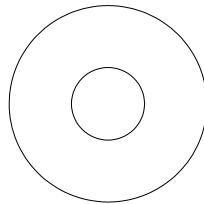


#71 - 3/8" x 25
Flat Washer (4pcs)

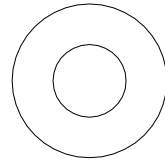
Step 2



#51 - 5/16" x 5/8"
Hex Head Bolt (7pcs)

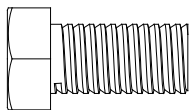


#99 - 5/16"x19
Curved Washer (1pcs)

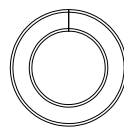


#72 - 5/16"x18
Flat Washer (6pcs)

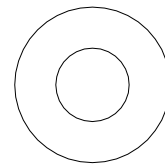
Step 3



#51 - 5/16" x 5/8"
Hex Head Bolt (2pcs)

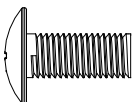


#103 - 5/16"
Split Washer (2pcs)



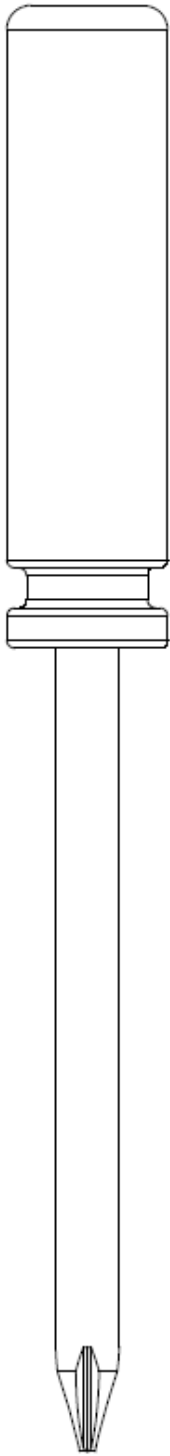
#72 - 5/16"x18
Flat Washer (2pcs)

Step 4

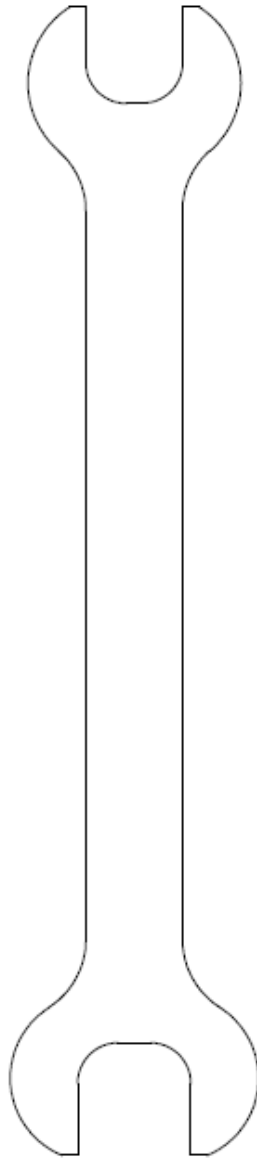


#58 - M5 x 12mm
Phillips Head Screw (10pcs)

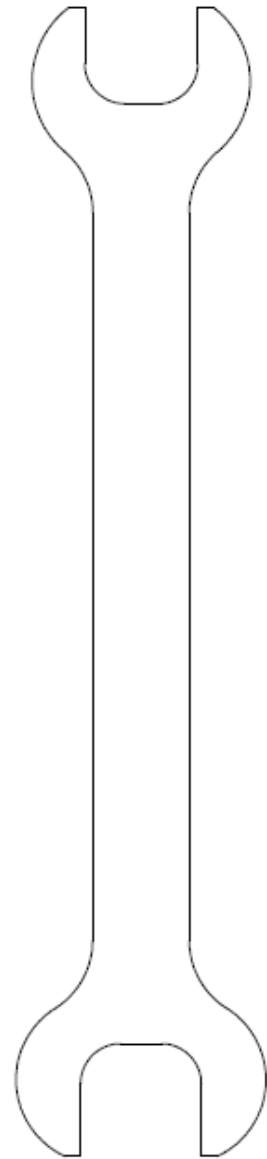
Tools



#93 - Phillips Screw Driver (1pc)



#100 - 12/14mm Wrench (1pc)

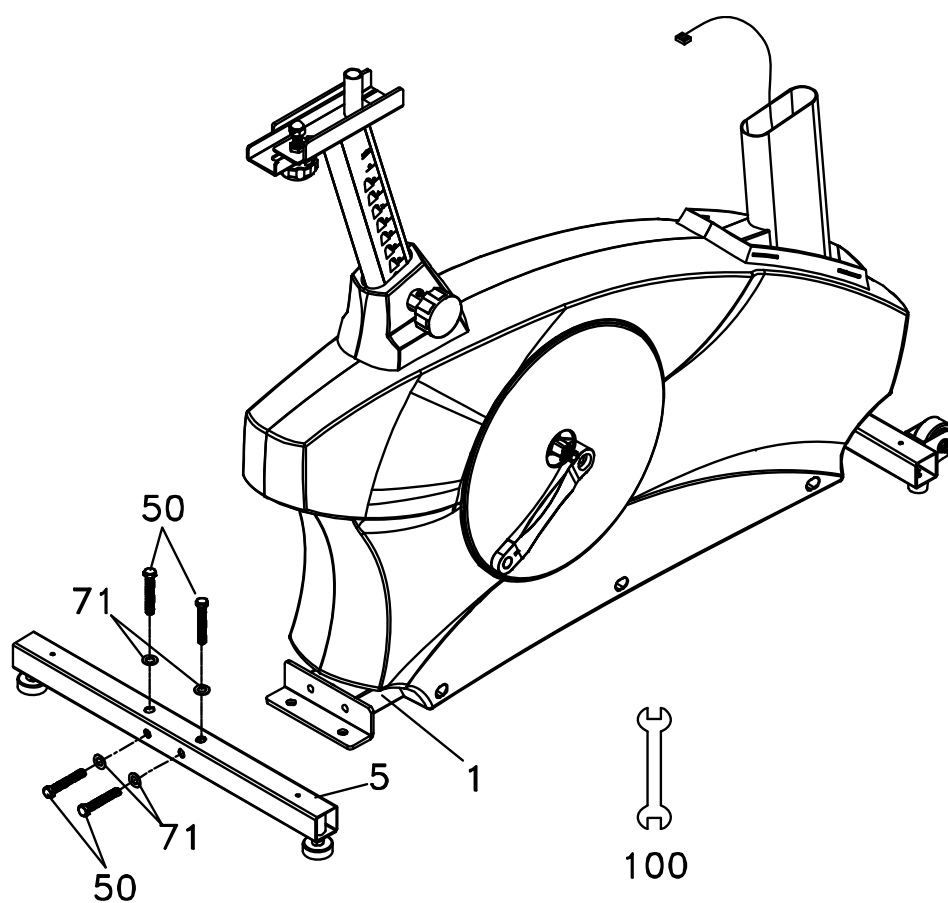


#117. 13/15mm Wrench (1pc)

Assembly Instructions For UPRIGHT

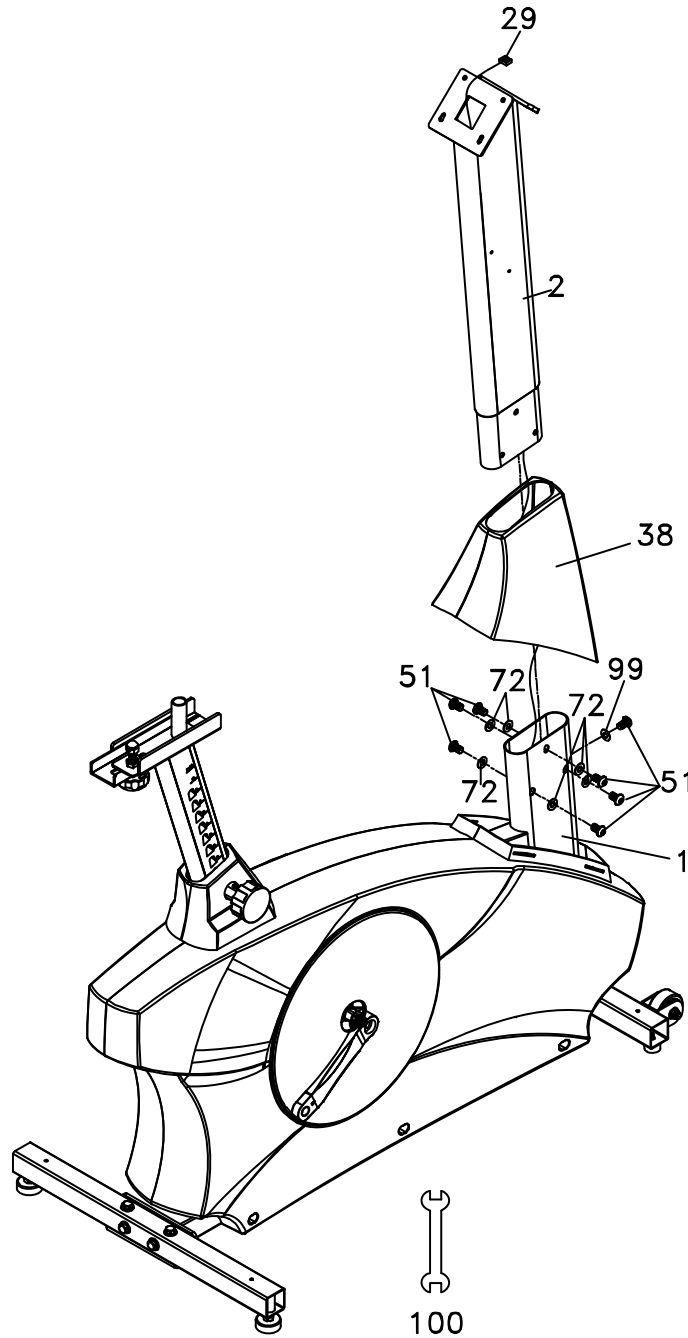
STEP 1: REAR STABILIZER ASSEMBLY

1. Install the Rear Stabilizer (5) onto the Main Frame (1) with the four $\frac{3}{8}$ " x 2-1/4" Hex Head Bolts (50) and four $\frac{3}{8}$ " x 25 Flat Washers (71).



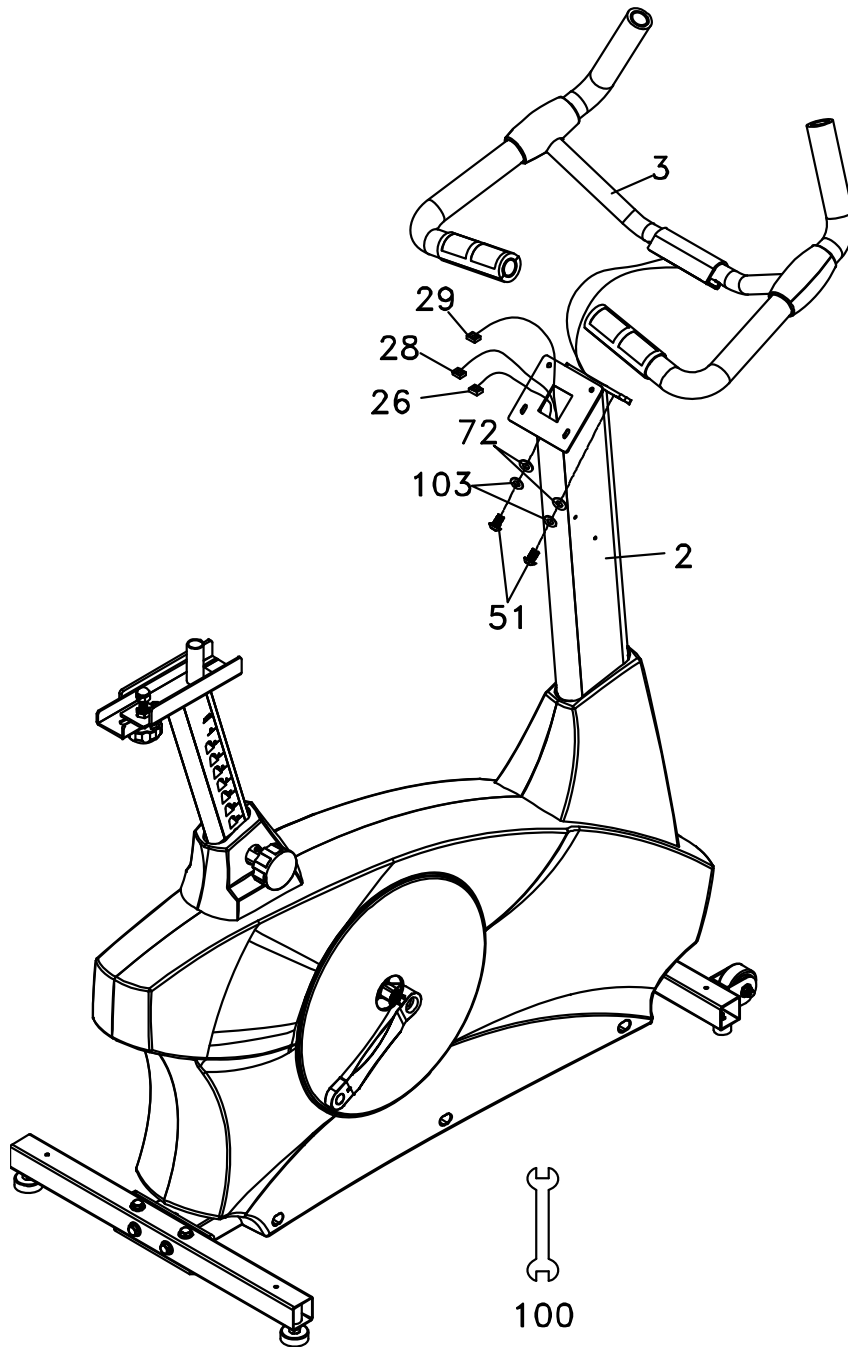
STEP 2: FRONT CONSOLE MAST ASSEMBLY

1. Unravel the Computer Cable (29) and snake it through the Console Mast Cover (38) and the Console Mast (2) until the cable connector comes out the top opening of the console mast. Slide the plastic cover (38) onto the console mast, ensuring the correct orientation of the cover.
2. Install the Console Mast (2) onto the Main Frame (1) with seven 5/16" x 5/8" Hex Head bolts (51), six 5/16" x 18 Flat Washers (72) on the side screws and one 5/16" x 19 Curved Washer (99) on the front screw.



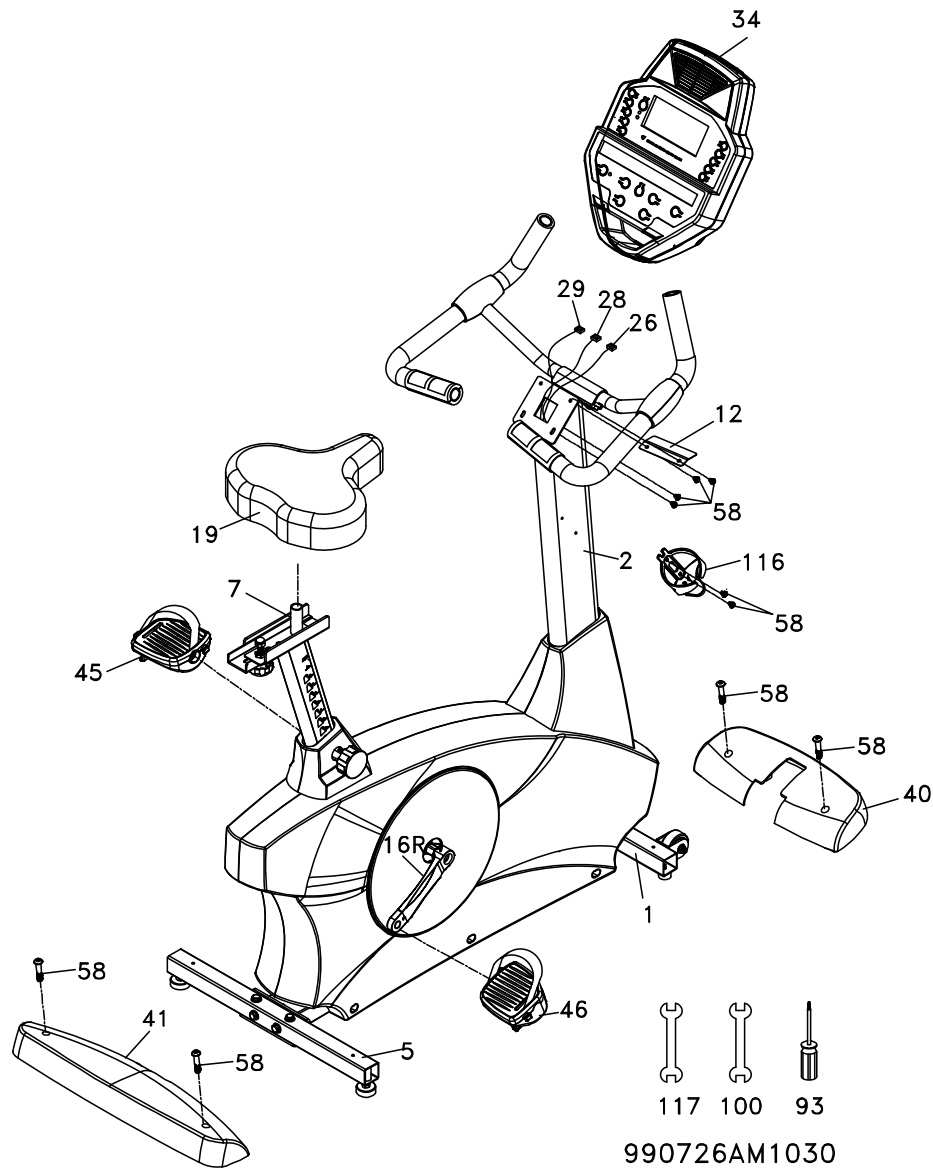
STEP 3: HANDLE BAR ASSEMBLY

1. Run the two hand pulse wires (26) into the hole in the handle bar mounting plate and out through the hole in the console plate. Install the Handle Bar (3) onto the Console Mast (2) with two 5/16" x 5/8" Hex Head bolts (51), two 5/16" x 18 Flat Washers (72) and two 5/16" Split Washers (103) being careful not to pinch the hand pulse wires.



STEP 4: CONSOLE, SEAT, PEDALS AND BEAUTY COVERS ASSEMBLY

1. Insert the Computer Cable (29) and two Hand pulse cables (26) into the connectors in the back of the Console (34). Install the Console (34) onto the Console Mast (2) with four M5x12mm Phillips Head Screws (58).
2. Install the Front Stabilizer Cover (40) and the Rear Stabilizer Cover (41) onto the Main Frame (1) with four M5x12mm Phillips Head Screws (58).
3. Install the Pedals (45 L, 46R) onto the Crank arms (16L, 16R). Remember that the left pedal has a reverse thread and will be screwed into the crank in the opposite rotation from normal threads. There is an "L" stamped into the end of the threaded post of the left pedal and an "R" in the right. Make sure to tighten the pedals as much as you possibly can. It may be necessary to re-tighten the pedals if you feel a thumping during pedaling the bike. A noise or feeling such as a thumping or clicking is usually caused by the pedals being too loose.
4. Install the Seat mount slide (7) onto the track on top of the seat tube with the seat post facing forward. Install the seat (19) onto the seat post.
5. Install the Drink Bottle Holder (116) onto the Console Mast (2) with two M5x12mm Phillips Head Screws (58).



Features

Foot pedals

Through research performed with a leading sports scientist and physical rehabilitation expert, the engineering has developed a breakthrough in pedal design. Typical stationary exercise bikes are wider than a normal road bike. The reason is to allow for the braking mechanism, pulleys, drive components and beauty covers. Since the bike is wider, so is the distance between the pedals; this width between the pedals is called the Q factor.

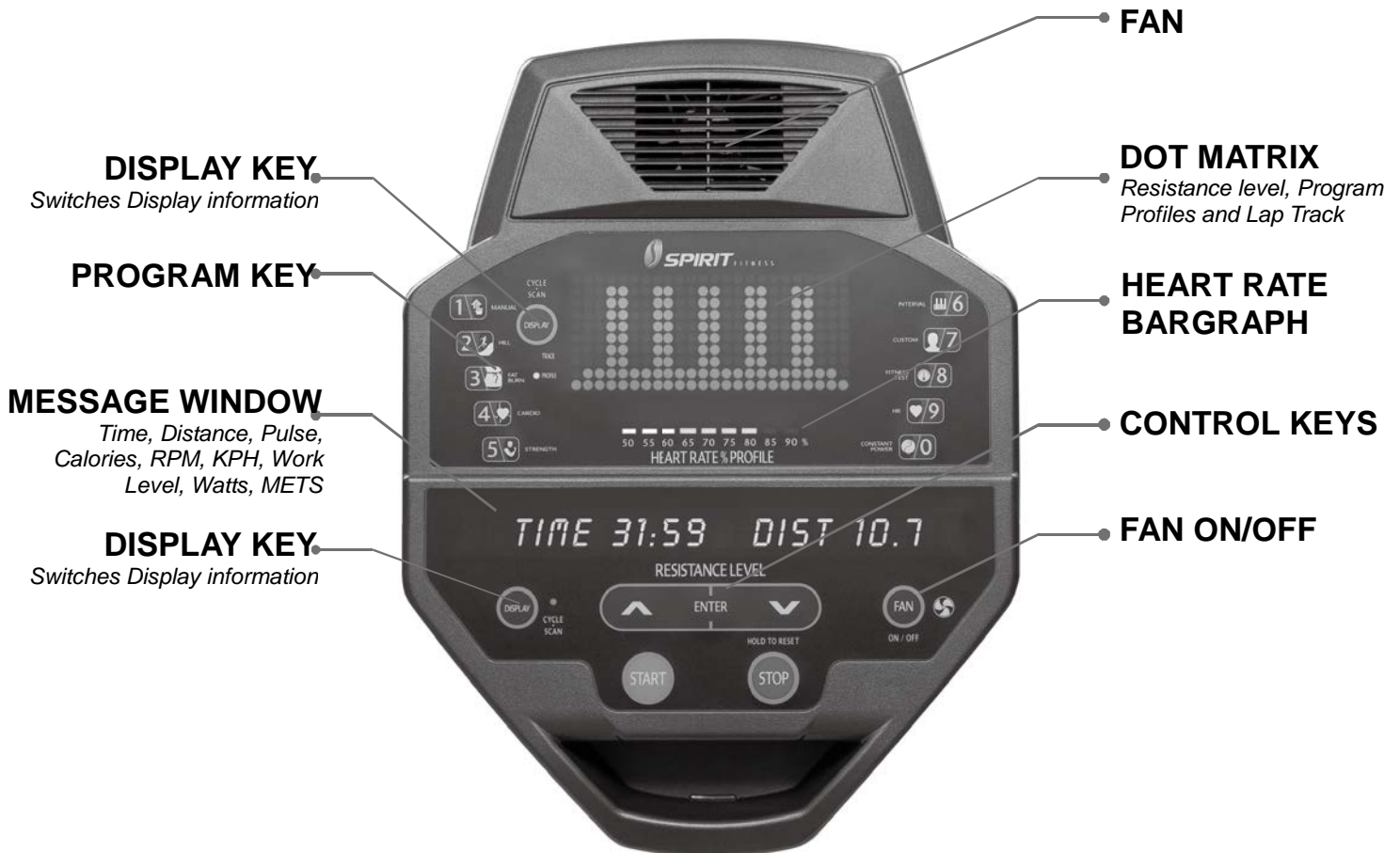
It has designed our pedal system so the Q factor is the smallest in the industry, but we did not stop there. We have also custom designed and tooled a new pedal that provides a two degree inward tilt to compensate for the Q factor not being perfect. Having a small Q factor in addition to the two degree inward tilt of the pedals puts the user into a biomechanical neutral alignment. This means that your feet, ankles, knees and hips are lined up properly ensuring a comfortable workout.

Transportation

The bike is equipped with two transport wheels, which are engaged when rear of the bike is lifted.

Operation of Your Stationary Bike

■ RECUMBENT & UPRIGHT Console



Power on

The commercial bikes have a built-in generator for power and do not need to be plugged into an AC outlet. To power up the Bike simply start to pedal, the console will turn on automatically. If the console does not light when you pedal, check that the power switch is set to **0** (Generator). The switch is located on the front, lower left side of the main plastic cover. There is an optional 24VAC power transformer that is available through your dealer. The AC power transformer would be used if the bike will be operated at very low speeds. In this scenario the power to the electronic console will be too low to maintain the display. To use the AC power transformer plug it into an AC outlet and the power input module of the bike and set the power switch to **1** (24VAC power input).

When initially powered on the console will perform an internal self-test. During this time all the lights will turn on for a short time. When the lights go off the dot matrix display will show a software version (i.e. VER 1.0) and the message window will display an odometer reading. The odometer reading displays how many hours the bike has been used and how many virtual miles the bike has gone. The display shows: ODO 123 MI 123 HRS.

The odometer will remain displayed for only a few seconds then the console will go to the start up display. The dot matrix display will be scrolling through the different profiles, showing the programs, and the message window will be scrolling the start up message. You may now begin to use the console.

Console Operation

Quick Start

This is the quickest way to start a workout. After the console powers up you just press the Start key to begin. This will initiate the Quick Start mode. In Quick Start the Time will count up from zero, all workout data will start to accrue and the workload may be adjusted manually by pressing the Up and Down buttons. The dot matrix display will show a ¼ mile (0.4KM) track display or just the bottom row lit at first, depending on how the display button has been set (see Basic information below). As you increase the workload more rows will light indicating a harder workout. The bike will get harder to pedal as the rows increase. The dot matrix has 24 columns of lights and each column represents 1 minute. At the end of the 24th column (or 24 minutes of work) the display will wrap around and start at the first column again.

There are 40 levels of resistance – displayed as 10 rows of lights - available for plenty of variety. The first 10 levels are very easy workloads, and the changes between levels are set to a good progression for de-conditioned users. Levels 10-20 are more challenging but the increases from one level to the next remain small. Levels 20-30 start getting tough as the levels jump more dramatically. Levels 30-40 are extremely hard and are good for short interval peaks and elite athletic training.

Basic information

The **Dot Matrix, or Profile Window**, has two display modes. When you begin a program the dot matrix will display the workout Profile. To the left of the dot matrix there is a button labeled Display. Pressing this button once will switch the display to show a quarter mile track. If the Display button is pressed again the dot matrix will switch back and forth between Track and Profile mode every few seconds. To turn off the scan mode press the Display key again. This will return you to the profile display mode.

The **Message Window** will initially be displaying Time and Distance information. On the bottom left of the message window is a button labeled Display. Each time this Display button is pressed the next set of information will appear, four windows in all. In order: Time and Distance, Pulse and Kcal (Calories), Speed in RPM and MPH, Work Level and Watts, then METs. If the Display button is pressed during the METs display the Scan light will come on and the message window will show each set of data for four seconds then switch to the next set of data in a continuous loop. Pressing the Display button again will bring you back to the beginning.

Below the Dot matrix display is a **Heart Icon** and a **Bar Graph**. The Bike has a built in heart rate monitoring system. Simply grasping the hand pulse sensors, or wearing a heart rate chest belt transmitter, will start the **Heart Icon** blinking (this may take a few seconds). The Message Window will display your heart rate, or Pulse, in beats per minute. The **Bar Graph** represents the percentage of your maximum heart rate you are currently achieving. NOTE: You must enter your age during program setup for the Bar Graph to be accurate. Refer to Heart Rate section for details about these features and how they can help you work out more efficiently.

The **Stop/Reset** button actually has several functions. Pressing the Stop/Reset key once during a program will **Pause** the program for 5 minutes (when you stop pedaling without AC power the display will turn off but the memory will be saved for 5 minutes just like the pause mode). If you

need to get a drink, answer the phone, or any of the many things that could interrupt your workout, this is a great feature. To resume your workout during Pause just press the Start key or start pedaling. If the Stop/Reset button is pressed twice during a workout the program will end and the console will return to the start up screen. If the Stop/Reset key is held down for 3 seconds the console will perform a complete **Reset**. During data entry for a program the Stop/Reset key performs a **Previous Screen** function. This allows you to go back one step in the programming each time you press the Stop/Reset key.

The **Program Keys** are used to preview each program. When you first turn the console on you may press each program key to preview what the program profile looks like. If you decide that you want to try a program, press the corresponding program key and then press the Enter key to select the program and enter into the data-setup mode.

The program keys also act as a **Number Key Pad** when you are in the data-setup mode. Under each program key is a number. If you are setting new data such as Age, weight etc., you can use these keys to enter the numbers quickly.

The console includes a built-in fan to help keep you cool. To turn the fan on press the key on the right side, front of the console

Programming the console

Each of the programs can be customized with your personal information and changed to suit your needs. Some of the information asked for is necessary to ensure the readouts are correct. You will be asked for your **Age** and **Weight**. Entering your **Age** ensures that the Heart Rate bar graph shows the correct number. Your Age is also necessary during the Heart Rate control program to ensure the correct settings are in the program for your Age. Otherwise the work settings could be too high or low for you; entering your **Weight** aides in calculating a more correct **Calorie** reading. Although we cannot provide an exact calorie count we do want to be as close as possible.

Entering/Changing Settings

When you enter a program (by pressing a program key, then enter key) you have the option of entering your own personal settings. If you want to workout without entering new settings then just press the Start key. This will bypass the programming of data and take you directly to the start of your workout. If you want to change the personal settings then just follow the instructions in the message window. If you start a program without changing the settings the default - or pre-saved – settings will be used.

Manual

The Manual program works as the name implies, manually. This means that you control the workload yourself and not the computer. To start the Manual program follow the instructions below or just press the Manual button then the Enter button and follow the directions in the message window.

1. Press the **Manual** key then press the **Enter** key.
2. The message window will ask you to enter your **Age**. You may enter your Age, using the Up and Down keys or the numeric key pad, then press the Enter key to accept the new number and proceed on to the next screen.
3. You are now asked to enter your **Weight**. You may adjust the Weight number using the Up and Down keys, or the numeric key pad, then press enter to continue.
4. The next setting is **Time**. You may adjust the Time and press enter to continue.
5. Now you are finished editing the settings and can begin your workout by pressing the Start key. You can also go back and modify your settings by pressing the Enter key. NOTE: At any time during the editing of Data you can press the Stop key to go back one level, or screen.
6. The program automatically starts you at level one. This is the easiest level and it is a good idea to stay at level one for a while to warm up. If you want to increase the work load at any time press the Up key; the Down key will decrease the workload.
7. During the Manual program you will be able to scroll through the data in the message window by pressing the adjacent **Display key**. You may also switch between the profile display and a quarter mile track by pressing the Display key adjacent to the dot matrix display.
8. When the program ends you may press Start to begin the same program again or Stop to exit the program, or you can save the program you just completed as a **custom program** by pressing the Custom key and following the instructions in the message window.

Preset Programs

The bike has five different programs that have been designed for a variety of workout goals. These five programs have factory preset profiles for achieving these different goals. The initial built-in level of difficulty for each program is set to a relatively easy level. You may adjust the level of difficulty (Max level) for each program before beginning by following the instructions in the message window after selecting your program.

HILL

The **Hill** program simulates going up and down a hill. The resistance in the pedals will steadily increase and then decrease during the program.

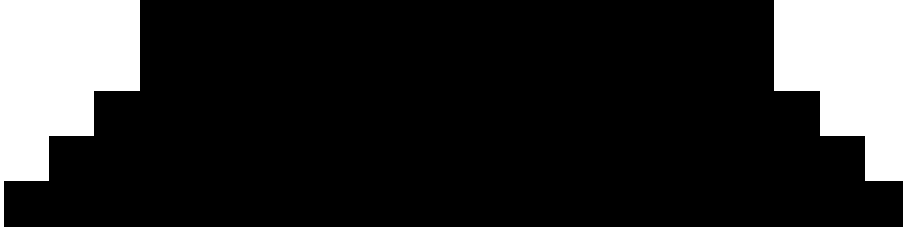
Work Profile



FATBURN

The **Fat Burn** program is designed, as the name implies, to maximize the burning of fat. There are many schools of thought on the best way to burn fat but most experts agree that a lower exertion level that stays at a steady workload is the best. The absolute best way to burn fat is to keep your heart rate at around 60% to 70% of its maximum potential. This program does not use heart rate but simulates a lower, steady exertion workout.

Work Profile



Cardio

The **Cardio** program is designed to increase your Cardio vascular function. This is exercise for your heart and lungs. It will build up your heart muscle and increase blood flow and lung capacity. This is achieved by incorporating a higher level of exertion with slight fluctuations in work.

Work Profile



Strength

The **Strength** program is designed to increase muscular strength in your lower body. This program will steadily increase in resistance to a high level and then keeps you there. This is designed to strengthen and tone your legs and glutes.

Work Profile



Interval

The **Interval** program takes you through high levels of intensity followed by periods of low intensity. This program increases your endurance by depleting your oxygen level followed by periods of recovery to replenish oxygen. Your cardio vascular system gets programmed to use oxygen more efficiently this way.

Work Profile



Programming Preset Programs:

1. Select the desired program button then press the **Enter** key.
2. The message window will ask you to enter your **Age**. You may adjust the age setting, using the Up and Down keys, then press the Enter key to accept the new number and proceed on to the next screen.
3. You are now asked to enter your **Weight**. You may adjust the weight number using the Up and Down keys, then press enter to continue.
4. Next is **Time**. You may adjust the Time and press enter to continue.
5. Now you are asked to adjust the **Max Level**. This is the peak exertion level you will experience during the program (at the top of the hill). Adjust the level and then press enter.
6. Now you are finished editing the settings and can begin your workout by pressing the Start key. You can also go back and modify your settings by pressing the Stop key to go back one level, or screen.
7. If you want to increase or decrease the workload at any time during the program press the Up or Down key. This will change the workload settings of the entire profile, although the profile picture on the screen will not change. The reason for this is so that you can see the entire profile at all times. If the profile picture is changed it will look distorted and not a true representation of the actual profile. When you make a change to the workload, the message window will show the current column, and program maximum, levels of work.
8. During the program you will be able to scroll through the data in the message window by pressing the **Display** key next to the message window.
9. When the program ends the message window will show a summary of your workout. The summary will be displayed for a short time then the console will return to the start-up display.

Custom User Defined Program

The custom program allows you to build and save a custom program. You can build your own custom program by following the instructions below or you can save any other preset program you complete as a custom program. The custom program allows you to further personalize it by adding your facility name.

1. Press the **Custom** key. The message window will show a welcome message; if you had previously saved a program the message will contain the name you gave it. Then press the **Enter** key to begin programming.
2. When you press enter, the message window will show "Name – A", if there is no name saved. If the name "Custom Workout" had been previously saved the message window will show "Name – Custom Workout" and the C in Custom will be blinking. If there is a name saved you can change it or you may press the Stop key to keep the name and continue to the next step. If you want to enter a name use the Up and/or the Down key to change the first letter then press Enter to save the first letter and continue to the next letter. When you have finished entering the name press the Stop key to save the name and continue to the next step.
3. The message window will ask you to enter your **Age**. You may enter your Age, using the Up and Down keys or the numeric key pad, then press the Enter key to accept the new number and proceed on to the next screen.
4. You are now asked to enter your **Weight**. You may adjust the Weight number using the Up and Down keys or the numeric key pad then press enter to continue.
5. Next is **Time**. You may adjust the Time and press enter to continue.
6. Now you are asked to adjust the **Max Level**. This is the peak exertion level you will experience during the program. Adjust the level and then press enter.
7. Now the first column will be blinking and you are asked to adjust the level for the first segment of the workout. When you finish adjusting the first segment, or if you don't want to change, then press enter to continue to the next segment.
8. The next segment will show the same level as the previously adjusted segment. Repeat the same process as the last segment then press enter. Continue this process until all twenty segments have been set.
9. The message window will then tell you to press enter to save the program. After saving the program the message window says "New program saved" then will give you the option to Start or modify the program. Pressing Stop will exit to the start up screen.
10. If you want to increase or decrease the workload at any time during the program press the Up or Down key. This will only affect the workload for the present position in the profile. When the profile changes to the next column it will return to the preset work level.
11. During the User 1 or User 2 program you will be able to scroll through the data in the message window by pressing the adjacent **Display key**, switch between the profile display and a quarter mile track by pressing the Display key adjacent to the matrix, use the heart rate monitoring features and can switch to heart rate **Auto-Pilot** mode. See Heart Rate section for details of this feature).

Fit-Test

The fitness test is based on the YMCA protocol and is a sub-maximal test that uses pre-determined, fixed work levels that are based on your heart rate readings as the test progresses. The test will take anywhere between 6 to 15 minutes to complete, depending on your level of fitness. The test ends when your heart rate reaches 85% of maximum at any time during the test or your heart rate is between 110 bpm and 85% at the end of two consecutive stages. At the end of the test a VO_{2max} score will be given. VO_{2max} stands for Volume of Oxygen uptake which is a measurement of how much oxygen you need to perform a known amount of work.

The YMCA protocol uses two to four, 3 minute stages of continuous exercise (see charts below). You will be asked to choose either, Male or Female at the beginning of the test. This choice determines which test parameters will be used during the test as shown in the charts below. The only caveats are that if you are a very de-conditioned Male you need to choose option Female. If you are a very conditioned female you need to choose option Male.

Workload chart for male or very fit female:

1st Stage				Level 12 - 50 watts - 300 kgm/min					
HR		< 90			90 - 105			> 105	
2nd Stage		Level 29 - 150 watts - 900 kgm/min			Level 26 - 125 watts - 750 kgm/min			Level 23 - 100 watts - 600 kgm/min	
HR	HR <120	HR 120-135	HR >135	HR <120	HR 120-135	HR >135	HR <120	HR 120-135	HR >135
3rd stage	Level 36 - 225 watts - 1350 kgm/min	Level 34 - 200 watts - 1200 kgm/min	Level 32 - 175 watts - 1050 kgm/min	Level 34 - 200 watts - 1200 kgm/min	Level 32 - 175 watts - 1050 kgm/min	Level 29 - 150 watts - 900 kgm/min	Level 32 - 175 watts - 1050 kgm/min	Level 29 - 150 watts - 900 kgm/min	Level 26 - 125 watts - 750 kgm/min

Workload chart for female or de-conditioned male

		1st Stage	Level 5 (25W) 150 kgm/min	
Heart Rate	HR<80	HR: 80-90	HR: 90-100	HR>100
2nd Stage	Level 26 (125W) 750 kgm/min	Level 23 (100W) 600 kgm/min	Level 18 (75W) 450 kgm/min	Level 12 (50W) 300 kgm/min
3rd Stage	Level 29 (150W) 900 kgm/min	Level 26 (125W) 750 kgm/min	Level 23 (100W) 600 kgm/min	Level 18 (75W) 450 kgm/min
4th Stage (if needed)	Level 32 (175W) 1050 kgm/min	Level 29 (150W) 900 kgm/min	Level 25 (117W) 700 kgm/min	Level 23 (100W) 600 kgm/min

Fitness test programming:

1. Press the Fit-test button and press enter.
2. The message window will ask you to enter your **Age**. You may adjust the age setting, using the Up and Down keys then press the Enter key to accept the new number and proceed on to the next screen.
3. You are now asked to enter your **Weight**. You may adjust the weight number using the Up and Down keys then press enter to continue.
4. Now press Start to begin the test.

Before the test:

- Make sure you are in good health; check with your physician before performing any exercise if you are over the age of 35 or persons with pre-existing health conditions.
- Adjust the seat to the proper position so that when your leg is extended during pedaling there is a slight bend at the knee of about 5 degrees.
- Make sure you have warmed up and stretched before taking the test.
- Do not take in caffeine before the test.
- Hold the hand grips gently, do not tense up.

During the test:

- The console must be receiving a steady heart rate for the test to begin. You may use the hand pulse sensors or wear a heart rate chest strap transmitter.
- You must maintain a steady 50 RPM pedal speed. If your pedal speed drops below 48 RPM or goes above 52 RPM the console will emit a steady beeping sound until you are within this range.
- You may scroll through the various data readings in the message window by pressing the Display button under the message window.
 1. The message window will always display your pedal speed on the right side to help you maintain 50RPM.
 2. The data shown during the test is:
 - a. **Work in KGM** is actually an abbreviated form of kg-m/min. which is a work measurement of kilogram-force meter/minute
 - b. **Work in Watts** (1 watt is equal to 6.11829727787 kg-m/min.)
 - c. **HR** is your actual heart rate; **TGT** is the target heart rate to reach to end the test.
 - d. **Time** is the total elapsed time of the test.

After the test:

- Cool down for about one to three minutes.
- Take note of your score because the console will automatically return to the start-up mode after a few minutes.

What your score means:

VO2max Chart for males and very fit females

	18-25 years old	26-35 years old	36-45 years old	46-55 years old	56-65 years old	65+ years old
excellent	>60	>56	>51	>45	>41	>37
good	52-60	49-56	43-51	39-45	36-41	33-37
above average	47-51	43-48	39-42	35-38	32-35	29-32
average	42-46	40-42	35-38	32-35	30-31	26-28
below average	37-41	35-39	31-34	29-31	26-29	22-25
poor	30-36	30-34	26-30	25-28	22-25	20-21
very poor	<30	<30	<26	<25	<22	<20

VO2max Chart for females and de-conditioned males

	18-25 years old	26-35 years old	36-45 years old	46-55 years old	56-65 years old	65+ years old
excellent	56	52	45	40	37	32
good	47-56	45-52	38-45	34-40	32-37	28-32
above average	42-46	39-44	34-37	31-33	28-31	25-27
average	38-41	35-38	31-33	28-30	25-27	22-24
below average	33-37	31-34	27-30	25-27	22-24	19-22
poor	28-32	26-30	22-26	20-24	18-21	17-18
very poor	<28	<26	<22	<20	<18	<17

Heart Rate Training

A word about Heart Rate:

The old motto, “no pain, no gain”, is a myth that has been overpowered by the benefits of exercising comfortably. A great deal of this success has been promoted by the use of heart rate monitors. With the proper use of a heart rate monitor, many people find that their usual choice of exercise intensity was either too high or too low and exercise is much more enjoyable by maintaining their heart rate in the desired benefit range.

To determine the benefit range in which you wish to train, you must first determine your Maximum Heart Rate. This can be accomplished by using the following formula: 220 minus your age. This will give you the Maximum heart rate (MHR) for someone of your age. To determine the effective heart rate range for specific goals you simply calculate a percentage your MHR. Your Heart rate training zone is 50% to 90% of your maximum heart rate. 60% of your MHR is the zone that burns fat while 80% is for strengthening the cardiovascular system. This 60% to 80% is the zone to stay in for maximum benefit.

For someone who is 40 years old their target heart rate zone is calculated:

$$\begin{aligned} 220 - 40 &= 180 \text{ (maximum heart rate)} \\ 180 \times .6 &= 108 \text{ beats per minute (60\% of maximum)} \\ 180 \times .8 &= 144 \text{ beats per minute (80\% of maximum)} \end{aligned}$$

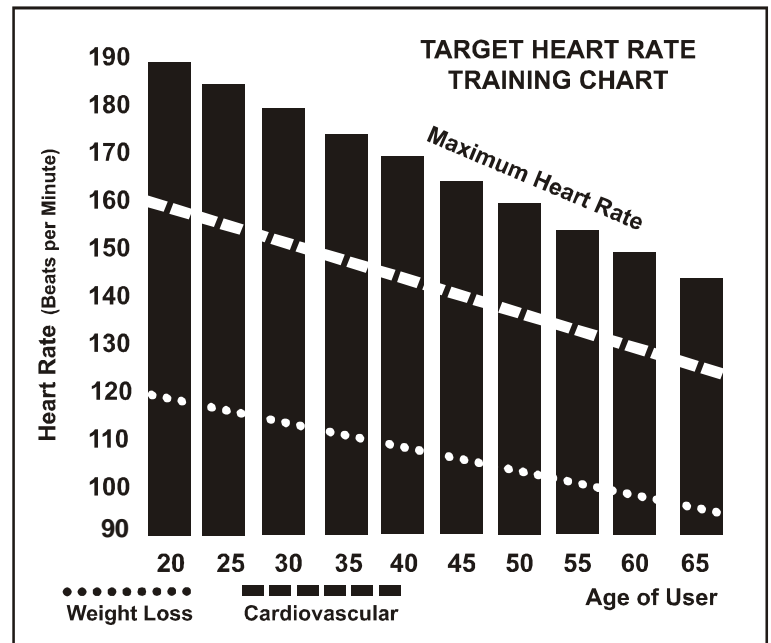
So for a 40 year old the training zone would be 108 to 144 beats per minute.

If you enter your age during programming the console will perform this calculation automatically. Entering your age is used for the Heart Rate control programs. After calculating your Maximum Heart Rate you can decide upon which goal you would like to pursue.

The two most popular reasons for, or goals, of exercise are cardiovascular fitness (training for the heart and lungs) and weight control. The black columns on the chart above represent the Maximum Heart Rate for a person whose age is listed at the bottom of each column. The training heart rate, for either cardiovascular fitness or weight loss, is represented by two different lines that cut diagonally through the chart. A definition of the lines' goal is in the bottom left-hand corner of the chart. If your goal is cardiovascular fitness or if it is weight loss, it can be achieved by training at 80% or 60%, respectively, of your Maximum Heart Rate on a schedule approved by your physician. Consult your physician before participating in any exercise program.

With all Heart Rate Control bike machines you may use the heart rate monitor feature without using the Heart Rate Control program. This function can be used during manual mode or during any of the nine different programs. The Heart Rate Control program automatically controls resistance at the pedals.

”WARNING” Heart rate monitoring system may be inaccurate. Over exercise may result in injury or death. If you feel faint stop exercising immediately.



Rate of Perceived Exertion

Heart rate is important but listening to your body also has a lot of advantages. There are more variables involved in how hard you should workout than just heart rate. Your stress level, physical health, emotional health, temperature, humidity, the time of day, the last time you ate and what you ate, all contribute to the intensity at which you should workout. If you listen to your body, it will tell you all of these things.

The rate of perceived exertion (RPE), also know as the Borg scale, was developed by Swedish physiologist G.A.V. Borg. This scale rates exercise intensity from 6 to 20 depending upon how you feel or the perception of your effort.

The scale is as follows:

Rating Perception of Effort

- 6 Minimal
- 7 Very, very light
- 8 Very, very light +
- 9 Very light
- 10 Very light +
- 11 Fairly light
- 12 Comfortable
- 13 Somewhat hard
- 14 Somewhat hard +
- 15 Hard
- 16 Hard +
- 17 Very hard
- 18 Very hard +
- 19 Very, very hard
- 20 Maximal

You can get an approximate heart rate level for each rating by simply adding a zero to each rating. For example a rating of 12 will result in an approximate heart rate of 120 beats per minute. Your RPE will vary depending up the factors discussed earlier. That is the major benefit of this type of training. If your body is strong and rested, you will feel strong and your pace will feel easier. When your body is in this condition, you are able to train harder and the RPE will support this. If you are feeling tired and sluggish, it is because your body needs a break. In this condition, your pace will feel harder. Again, this will show up in your RPE and you will train at the proper level for that day.

Using a Heart Rate Transmitter

How to wear your wireless chest strap transmitter:

1. Attach the transmitter to the elastic strap using the locking parts.
2. Adjust the strap as tightly as possible as long as the strap is not too tight to remain comfortable.
3. Position the transmitter with the logo centered in the middle of your body facing away from your chest (some people must position the transmitter slightly left of center). Attach the final end of the elastic strap by inserting the round end and, using the locking parts, secure the transmitter and strap around your chest.
4. Position the transmitter immediately below the pectoral muscles.
5. Sweat is the best conductor to measure very minute heart beat electrical signals. However, plain water can also be used to pre-wet the electrodes (2 black square areas on the reverse side of the belt and either side of transmitter). It's also recommended that you wear the transmitter strap a few minutes before your work out. Some users, because of body chemistry, have a more difficult time in achieving a strong, steady signal at the beginning. After "warming up", this problem lessens. As noted, wearing clothing over the transmitter/strap doesn't affect performance.
6. Your workout must be within range - distance between transmitter/receiver – to achieve a strong steady signal. The length of range may vary somewhat but generally stay close enough to the console to maintain good, strong, reliable readings. Wearing the transmitter immediately against bare skin assures you of proper operation. If you wish, you may wear the transmitter over a shirt. To do so, moisten the areas of the shirt that the electrodes will rest upon.

Note: The transmitter is automatically activated when it detects activity from the user's heart. Additionally, it automatically deactivates when it does not receive any activity. Although the transmitter is water resistant, moisture can have the effect of creating false signals, so you should take precautions to completely dry the transmitter after use to prolong battery life (estimated transmitter battery life is 2500 hours). If your chest strap has a replaceable battery the replacement battery is Panasonic CR2032.

Erratic Operation:

Caution! Do not use this bike for Heart Rate Control unless a steady, solid Actual Heart Rate value is being displayed. High, wild, random numbers being displayed indicate a problem.

Areas to look at for interference, which may cause erratic heart rate:

- (1) Microwave ovens, TVs, small appliances, etc.
- (2) Fluorescent lights.
- (3) Some household security systems.
- (4) Perimeter fence for a pet.
- (5) Some people have problems with the transmitter picking up a signal from their skin. If you have problems try wearing the transmitter upside down. Normally the transmitter will be oriented so the logo is right side up.
- (6) The antenna that picks up your heart rate is very sensitive. If there is an outside noise source, turning the whole machine 90 degrees may de-tune the interference.
- (7) *If you continue to experience problems contact your dealer.*

Heart Rate Control (HR) Program operation

To start the **HR** program follow the instructions below or just press the HR key then the Enter button and follow the directions in the message window.

1. Press the **HR** key then press the **Enter** key.
2. The message window will ask you to enter your **Age**. You may enter your Age, using the Up and Down keys or the numeric key pad, then press the Enter key to accept the new number and proceed on to the next screen.
3. You are now asked to enter your **Weight**. You may adjust the Weight number using the Up and Down keys or the numeric key pad, then press enter to continue.
4. Next is **Time**. You may adjust the Time and press enter to continue.
5. Now you are asked to adjust the **Heart rate Level**. This is the heart rate level you will experience during the program. Adjust the level and then press enter.
6. Now you are finished editing the settings and can begin your workout by pressing the Start key. You can also go back and modify your settings by pressing the Enter key. NOTE: At any time during the editing of Data you can press the Stop key to go back one level, or screen.
7. If you want to increase or decrease the workload at any time during the program press the Up or Down key. This will allow you to change your target heart rate at any time during the program.
8. During the HR program you will be able to scroll through the data in the message window by pressing the adjacent **Display key**.
9. When the program ends you may press Start to begin the same program again or Stop to exit the program or you can save the program you just completed as a **custom user program** by pressing a User key and following the instructions in the message window.

Watts Program operation (Not to be used for medical purposes)

Watts program is a controllable constant power that is adjustable LEVEL when you speed is changed. To start the **Watts** program follow the instructions below or just press the **Watts** key then the Enter button and follow the directions in the message window.

1. Press the **Watts** key then press the **Enter** key.
2. The message window will ask you to enter your **Age**. You may enter your Age, using the Up and Down keys or the numeric key pad, then press the Enter key to accept the new number and proceed on to the next screen.
3. You are now asked to enter your **Weight**. You may adjust the Weight number using the Up and Down keys or the numeric key pad, then press enter to continue.
4. Next is **Time**. You may adjust the Time and press enter to continue.
5. Now you are asked to adjust the **Target Watts**. This is the constant power you will experience during the program. Adjust the up/down and then press enter.
6. Now you are finished editing the settings and can begin your workout by pressing the Start key. You can also go back and modify your settings by pressing the Enter key. NOTE: At any time during the editing of Data you can press the Stop key to go back one level, or screen.
7. If you want to increase or decrease the workload at any time during the program press the Up or Down key. This will allow you to change your target Watts at any time during the program.
8. During the **Watts** program you will be able to scroll through the data in the message window by pressing the adjacent **Display key**.

When the program ends you may press Start to begin the same program again or Stop to exit the program and following the instructions in the message window.

Maintenance:

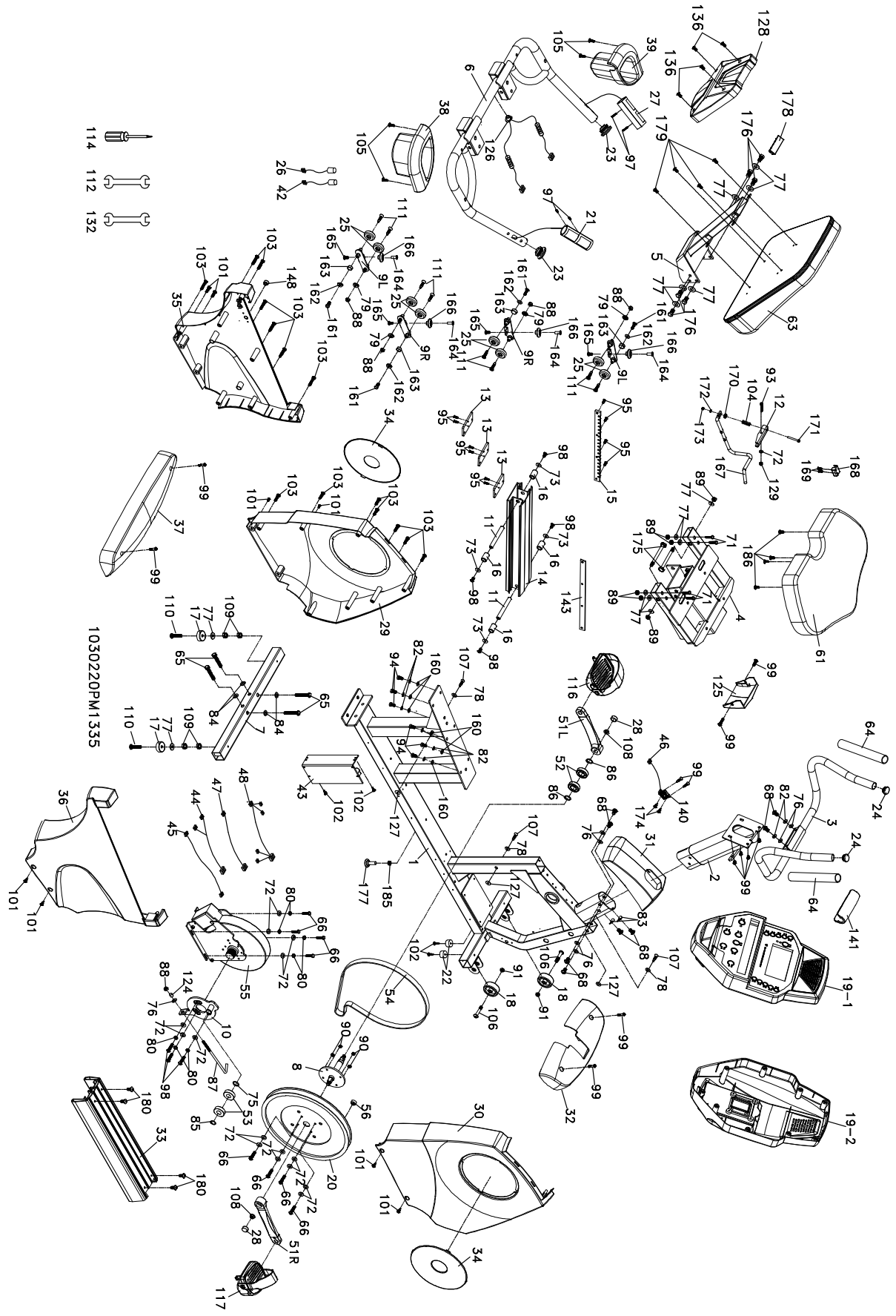
1. Wipe down all areas in the sweat path with a damp cloth after each workout.
2. If a squeak, thump, clicking or rough feeling develops the main cause is most likely one of two reasons:
 - 1) The hardware was not sufficiently tightened during assembly. All bolts that were installed during assembly need to be tightened as much as possible. It may be necessary to use a larger wrench than the one provided if you cannot tighten the bolts sufficiently. I cannot stress this point enough; 90% of calls to the service department for noise issues can be traced to loose hardware.
 - 2) The crank arm nut and/or the pedals need to be retightened.
3. If squeaks or other noises persist, check that the unit is properly leveled. There are 2 leveling pads on the bottom of the rear stabilizer, use a 14mm wrench (or adjustable wrench) to adjust the levelers.

Maintenance Menu in console software:

The console has built in maintenance/diagnostic software. The software will allow you to change the console settings from English to Metric and turn off the beeping of the speaker when a key is pressed for example. To enter the Maintenance menu (may be called Engineering mode, depending on version) press and hold down the Start, Stop and Enter keys. Keep holding the keys down for about 5 seconds and the message window will display "ALTXXX Engineering mode". Press the enter button to access the menu below:

- a. **Key test** (will allow you to test all the keys to make sure they are functioning)
- b. **Display test** (tests all the display functions)
- c. **Functions** (Press enter to access settings)
 - i. **Sleep mode** (Turn on to have the console power down automatically after 20 minutes of inactivity)
 - ii. **Pause Mode** (Turn on allow 5 minutes of pause, turn off to have the console pause indefinitely)
 - iii. **ODO reset** (reset the odometer)
 - iv. **Units** (Set to English or Metric display readings)
 - v. **Beep** (Turn on or off the beep when a key is pressed)
 - vi. **D/A test** (tests the brake resistance)
 - vii. **Exit**
- d. **Security** (Allows you to lock the keypad so no unauthorized use is allowed)
- e. **Factory settings** (Access only allowed by manufacturing)

Recumbent Exploded View Diagram



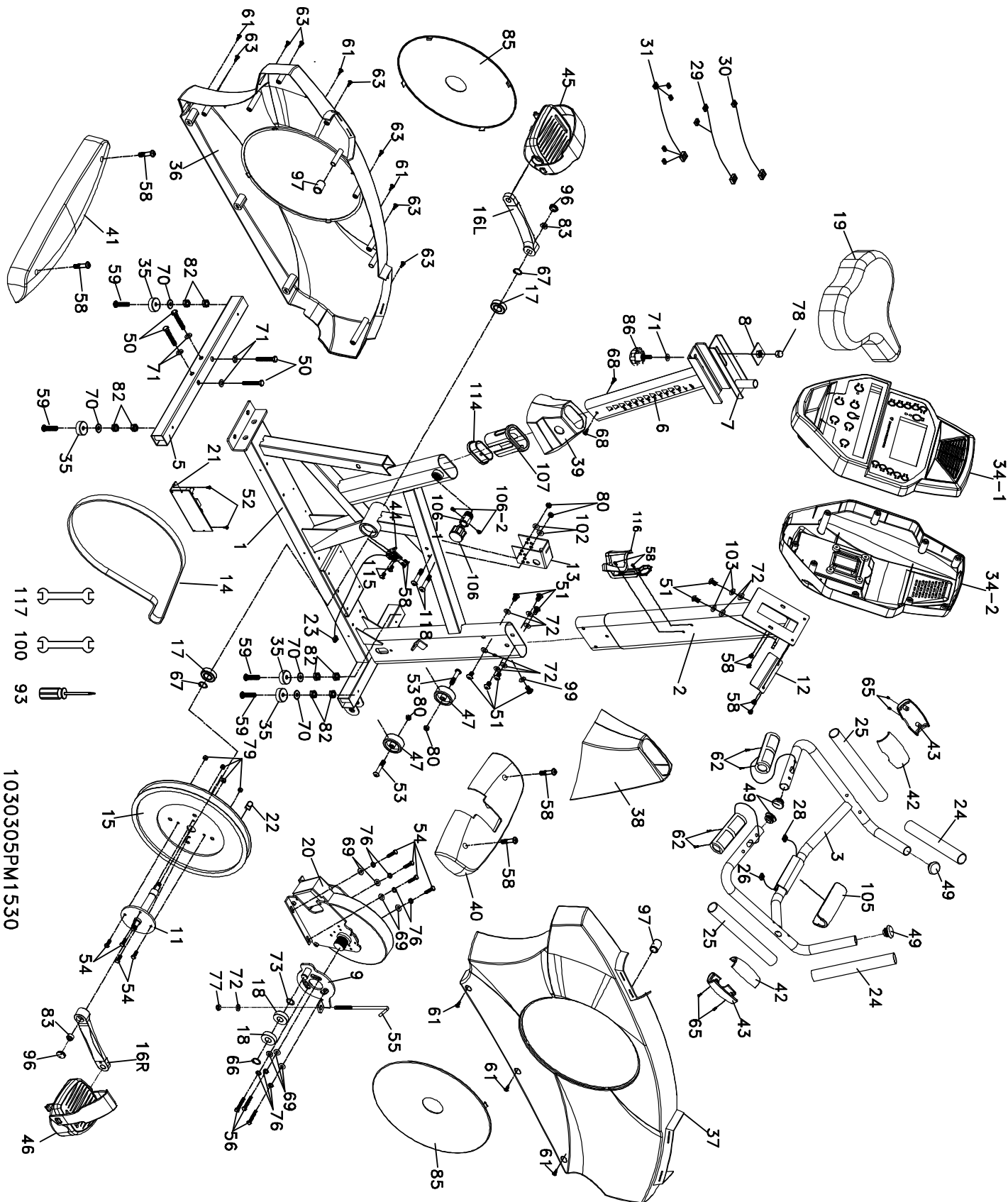
Recumbent Parts List

Dwg #	Part description	Qty
1	Main Frame	1
2	Console Mast	1
3	Mast Handle bar Assembly	1
4	Seat Carriage	1
5	Seat Back Frame	1
6	Seat Handle Bar	1
7	Rear Stabilizer	1
8	Crank Axle	1
9L	Seat Wheel Adjustment Plate (L)	2
9R	Seat Wheel Adjustment Plate (R)	2
10	Idler Wheel Assembly	1
11	Seat Stop Axle	2
12	Seat Position Latch	1
13	Backing Plate	3
14	Aluminum Axle	1
15	Rack	1
16	Spacer for Stopper Axle	4
17	Rubber Foot	2
18	Transportation Wheel	2
19	Console Assembly	1
20	Drive Pulley	1
21	950m/m_Handpulse W/Cable Assembly(R)	1
22	Rubber Foot Pad	2
23	Ø32 (3.0T)_Button Head Plug	2
24	Ø25.4 (3.0T)_Button Head Plug	2
25	Seat Track Wheel	8
26	300m/m_Handpulse Wire, Coiled	1
27	750m/m_Handpulse W/Cable Assembly(L)	1
28	Crank Arm End Cap	2
29	Front Shroud (L)	1
30	Front Shroud (R)	1
31	Console Mast Cover	1
32	Front Stabilizer Cover	1
33	Step Cover	1
34	Round Disk	2
35	Rear Shroud (L)	1
36	Rear Shroud (R)	1
37	Rear Stabilizer Cover	1
38	Drink Bottle Holder (R)	1
39	Drink Bottle Holder (L)	1
42	300m/m_Hand Pulse Sensor Assembly W/Cable	1
43	Generator/Brake Controller	1
44	Computer Cable	1
45	2100m/m_Hand Pulse Sensor Assembly W/Cable	1
46	400m/m_Hall Sencor	1

Dwg #	Part description	Qty
47	750m/m_Wire Brake Coil Harness	1
48	1100m/m_Generator Wire Harness	1
51L	Crank Arm (L)	1
51R	Crank Arm (R)	1
52	6004_Bearing	2
53	6203_Bearing	2
54	Drive Belt	1
55	Generator/Brake	1
56	Magnet	1
61	Seat	1
63	Seat Back	1
64	Handgrip Foam	2
65	3/8" x 2- 1/4" _Hex Head Bolt	4
66	1/4" x 3/4" _Hex Head Bolt	8
68	5/16" x 5/8" _Hex Head Bolt	8
71	3/8" x 2" _Hex Head Bolt	4
72	1/4" x 13 x 1T _Flat Washer	16
73	1/4" x 19 x 1.5T _Flat Washer	4
75	Ø17 x 23.5 x 1T _Flat Washer	1
76	5/16" x 18 x 1.5T _Flat Washer	7
77	3/8" x 19 x 1.5T _Flat Washer	14
78	3/16" x 15 x 1.5T _Flat Washer	3
79	Ø8 x Ø18 x 3T _Knurled Lock Washer	4
80	Ø1/4" _Split Washer	7
82	5/16" x 1.5T _Split Washer	8
83	5/16" x 19 x 1.5T _Curved Washer	2
84	3/8" x 25 x 2.0T _Flat Washer	4
85	Ø17 _C Ring	1
86	Ø20 _C Ring	2
87	M8 x 170m/m _J Bolt	1
88	M8 x 7T _Nyloc Nut	5
89	3/8" x 7T _Nyloc Nut	6
90	1/4" x 8T _Nyloc Nut	4
91	5/16" x 6T _Nyloc Nut	2
93	M6 x 38m/m _Socket Head Cap Bolt	1
94	5/16" x 3/4" _Hex Head Bolt	6
95	M5 x 12m/m _Flat Head Socket Screw	10
97	Ø3 x 20m/m _Tapping Screw	4
98	M6 x 15m/m _Phillips Head Screw	7
99	M5 x 12m/m _Phillips Head Screw	12
101	5 x 16m/m _Tapping Screw	8
102	5 x 19m/m _Tapping Screw	4
103	Ø3.5 x 16m/m _Sheet Metal Screw	14
104	Spring	1
105	Ø4 x 16 m/m _Sheet Metal Screw	4
106	5/16" x 1- 3/4" _Button Head Socket Bolt	2
107	Ø3.5 x 20m/m _Sheet Metal Screw	3
108	M10 x 1.25 _Nut	2
109	3/8" x 7T _Nut	4

Dwg #	Part description	Qty
110	3/8" x 2" _Flat Head Socket Bolt	2
111	M5 x 10.Ø14 x 2T_Thumb Head Socket Screw	8
112	12.14m/m _Wrench	1
114	Phillips Head Screw Driver	1
116	Pedal (L)	1
117	Pedal (R)	1
124	Rod End Sleeve	1
125	Seat Carriage Cover	1
126	HGP Wire Grommet	1
127	5/16" x 16 x 1T _Flat Washer	3
128	Seat Back Cover	1
129	M6 _Nyloc Nut	1
132	14.15m/m _Wrench	1
136	M5 x 15m/m _Phillips Head Screw	4
140	Hall Sensor Rack	1
141	Handle Bar Cover	1
143	Seat Track Fixing Plate	1
148	Block	1
160	5/16" x 16 x 1.5T _Flat Washer	6
161	M6 x 10L _Flat Phillips Head Screw	4
162	1/4" x 16 x 1.0T _Flat Washer	4
163	Sleeve	4
164	M6 x 19L _Nut	4
165	M6 x 10L _Button Head Socket Bolt	4
166	PU Wheel	4
167	Seat Front/Aft Adjustment Lever	1
168	Lever Anchor	1
169	M5 x 25m/m _Flat Head Socket Screw	2
170	Ø15 x Ø6 x 4T _Nylon Washer	1
171	M5 x 45m/m _Socket Head Cap Bolt	1
172	Ø3/16" x 10 x 1T _Flat Washer	1
173	M5 x 5T _Nyloc Nut	1
174	Ø3 x 12m/m _Sheet Metal Screw	2
175	3/8" x 2- 3/4" _Hex Head Bolt	2
176	3/8" x 3/4" _Hex Head Bolt	6
177	Rubber Foot Pad	1
178	Square End Cap	1
179	M8 x 15m/m _Button Head Socket Bolt	4
180	M5 x 30m/m _Phillips Head Screw	4
185	3/8" x 4T _Nut	1
186	M6 x 18m/m _Phillips Head Screw	4

Upright Exploded View Diagram



Upright Parts List

Dwg #	Part description	Qty
1	Main Frame	1
2	Console Mast	1
3	Seat Handle Bar	1
5	Rear Stabilizer	1
6	Seat Slider	1
7	Sliding Seat Mount	1
8	Fix Plate	1
9	Idler Wheel Assembly	1
11	Crank Axle	1
12	Fixing Plate	1
13	Chain Cover Bracket	1
14	Drive Belt	1
15	Drive Pulley	1
16L	Crank Arm (L)	1
16R	Crank Arm (R)	1
17	6004_Bearing	2
18	6203_Bearing	2
19	Seat	1
20	Induction Brake	1
21	Generator/Brake Controller	1
22	Magnet	1
23	Hall Sencor	1
24	1" x 255L x 5T_Handgrip Foam	2
25	1" x 205L x 5T_Handgrip Foam	2
26	800m/m_Handpulse W/Cable Assembly(white)	1
28	800m/m_Handpulse W/Cable Assembly(red)	1
29	2000m/m_Computer Cable	1
30	200m/m_Wire Brake Coil Harness	1
31	Generator Wire Harness	1
34	Console Assembly	1
35	Rubber Foot	4
36	Chain Cover (L)	1
37	Chain Cover (R)	1
38	Console Mast Cover	1
39	Seat Post Cover	1
40	Front Stabilizer Cover	1
41	Rear Stabilizer Cover	1
42	Handgrip Side Cap (Top)	2
43	Handgrip Side Cap (Bottom)	2
44	Hall Sensor Rack	1
45	Pedal (L)	1
46	Pedal (R)	1
47	Transportation Wheel	2
49	Ø25.4 x 2.0T__Button Head Plug	4

Dwg #	Part description	Qty
50	3/8" x 2-1/4" _Hex Head Bolt	4
51	5/16" x 5/8" _Hex Head Bolt	9
52	5 x 19m/m _Tapping Screw	2
53	5/16" x 1-3/4" _Button Head Socket Bolt	2
54	1/4" x 3/4" _Hex Head Bolt	8
55	M8 x 170m/m _J Bolt	1
56	M6 x 15m/m _Phillips Head Screw	3
58	M5 x 12m/m _Phillips Head Screw	12
59	3/8" x 2m/m _Flat Head Socket Bolt	4
61	5 x 16m/m _Tapping Screw	6
62	Ø3 x 20m/m _Tapping Screw	4
63	Ø3.5 x 16m/m _Sheet Metal Screw	7
65	Ø3 x 10m/m _Tapping Screw	4
66	Ø17 _C Ring	1
67	Ø20 _C Ring	2
68	4 x 12m/m _Sheet Metal Screw	2
69	1/4" x 13 x 1T _Flat Washer	7
70	3/8" x 19 x 1.5T _Flat Washer	4
71	3/8" x 25mm x 2.0T _Flat Washer	5
72	5/16" x 18mm x 1.5T _Flat Washer	9
73	Ø17 x 23.5 x 1T _Flat Washer	1
76	Ø1/4" _Split Washer	7
77	M8 x 7T _Nyloc Nut	1
78	3/8" x 7T _Cap Nut	1
79	1/4" x 8T _Nyloc Nut	4
80	5/16" x 6T _Nyloc Nut	4
82	3/8" x 7T _Nut	8
83	M10 x 1.25 _Nut	2
85	Round Disk	2
86	Fore Aft Adjustment Knob	1
93	Phillips Head Screw Driver	1
96	Crank Arm End Cap	2
97	Spacer for Stopper Axle	2
99	5/16" x 19 x 1.5T _Curved Washer	1
100	12/14m/m _Wrench	1
102	5/16" x 16 x 1.0T _Flat Washer	2
103	5/16" _Split Washer	2
105	Front Handle Bar Cover	1
106	Seat Up/Down Adjustment Knob	1
107	Slider Sleeve	1
114	Slide Spacer	1
115	Ø3 x 12m/m _Sheet Metal Screw	2
116	Drink Bottle Holder	1
117	13/15m/m _Wrench	1
118	5/16" x 2-1/4" _Hex Head Bolt	2

**Bernsport (1995) Limited
19A Orbit Drive, Albany
Auckland
New Zealand 0632**

Phone 09 477 6020

Fax 09 475 6616

Website: www.bernsport.co.nz